

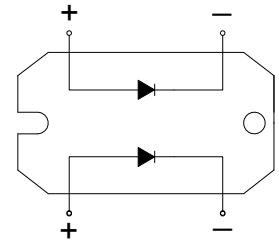
JD70K2

Description

- 1) Low forward voltage drop
- 2) Two fully independent diodes
- 3) Fully insulated package
- 4) Easy to use and parallel
- 5) Industry standard outline
- 6) Designed and qualified for industrial level



SOT-227



Typical Application

Optimized for power conversion: welding and industrial SMPS applications

Absolute Maximum Ratings (Packaged into SOT-227, unless otherwise specified, $T_{CASE}=25^{\circ}C$)

Parameter	Test Conditions	Symbol	Values				Unit
			12	16	18	20	
Repetitive peak reverse voltage	$T_j=25^{\circ}C, I_{RRM}=5\mu A$	V_{RRM}	1200	1600	1800	2000	V
Non-repetitive peak reverse voltage	$T_j=25^{\circ}C$	V_{RSM}	1300	1700	1900	2100	V
Average forward current		$I_{F(AV)}$	70				A
Surge forward current	$t_P=10ms, \sin 180^{\circ}, T_j=25^{\circ}C$	I_{FSM}	840				A
I^2t value	$t_P=10ms, \sin 180^{\circ}, T_j=25^{\circ}C$	I^2t	3500				A^2s
Isolation voltage	50Hz, 1min, RMS	V_{iso}	2500				V
Junction temperature range		T_j	-55~150				$^{\circ}C$
Storage temperature range		T_{STG}	-55~150				$^{\circ}C$

Electrical Characteristics (Packaged into SOT-227, unless otherwise specified, $T_{CASE}=25^{\circ}C$)

Parameter	Test Conditions	Symbol	Values			Unit
			Min.	Typ.	Max.	
Forward voltage	$I_F=70A, T_j=25^{\circ}C$	V_F	-	1.05	1.25	V
Reverse leakage current	$V_R=V_{RRM}, T_j=25^{\circ}C$	I_R	-	-	5	μA
	$V_R=V_{RRM}, T_j=150^{\circ}C$		-	-	1.5	mA



Rectifier Diode Module

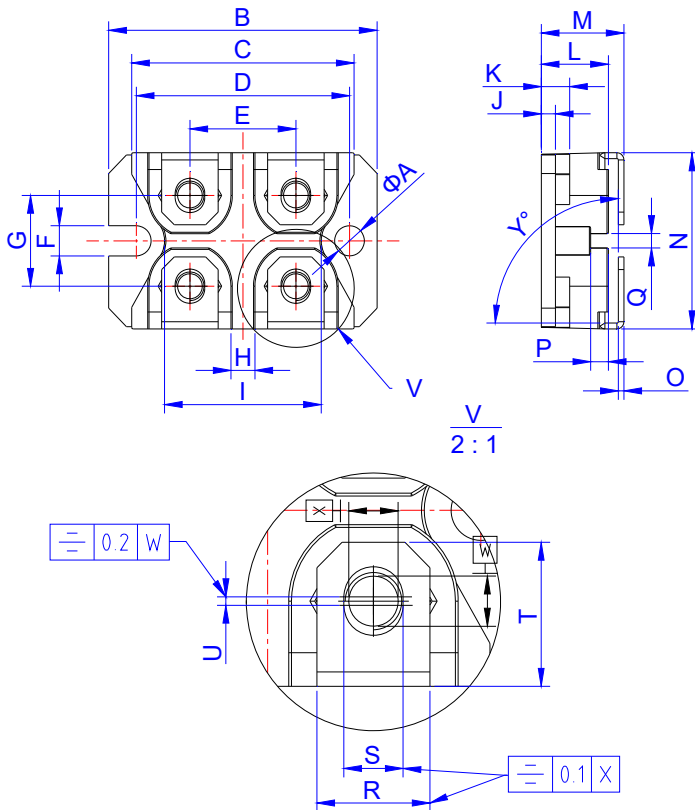
Thermal Characteristics(Packaged into SOT-227, unless otherwise specified, $T_{CASE}=25^{\circ}C$)

Parameter	Test Conditions	Symbol	Values			Unit
			Min.	Typ.	Max.	
Junction to case(per diode)		R_{thJC}	-	-	0.56	$^{\circ}C/W$
Case to heatsink		R_{thCS}	-	0.10	-	
Weight			-	35	-	g
Mounting torque	Base plate to heatsink screw M4	M	1.0	-	1.5	N·m
	Electrode to terminal screw M4		1.0	-	1.3	N·m
Case style			SOT-227			

Ordering Information

<p style="text-align: center; font-size: 2em; font-weight: bold;">J D</p> <p style="text-align: center;">JieJie Semiconductor Co.,Ltd</p> <p style="text-align: center; border: 1px solid black; padding: 2px;">General purpose rectifier diode</p>	<p style="text-align: center; font-size: 2em; font-weight: bold;">70 K2</p> <p style="text-align: center;">$I_{F(AV)}=70A$</p> <p style="text-align: center;">Dual circuit module</p>	<p style="text-align: center; font-size: 2em; font-weight: bold;">-12</p> <div style="border: 1px solid black; padding: 5px; margin-top: 10px;"> <p>12: $V_{RSM} \geq 1300V$</p> <p>16: $V_{RSM} \geq 1700V$</p> <p>18: $V_{RSM} \geq 1900V$</p> <p>20: $V_{RSM} \geq 2100V$</p> </div>
--	---	---

Mechanical Characteristics



Ref.	Dimensions					
	Millimeters			Inches		
	Min.	Typ.	Max.	Min.	Typ.	Max.
A	4.1	4.2	4.4	0.161	0.165	0.173
B	38.0	38.2	38.4	1.496	1.504	1.512
C	31.1	31.5	31.9	1.224	1.240	1.256
D	30.1	30.2	30.3	1.185	1.189	1.193
E	14.8	15.0	15.2	0.583	0.591	0.598
F	4.1	4.2	4.4	0.161	0.165	0.173
G	12.3	12.5	12.7	0.484	0.492	0.500
H		4.2			0.165	
I		21.6			0.850	
J		2			0.079	
K		4.05			0.159	
L		9.5			0.374	
M	11.6	11.9	12.2	0.457	0.469	0.480
N	24.7	25.1	25.5	0.972	0.988	1.004
O		0.8			0.031	
P		2.6			0.102	
Q		1.7			0.067	
R		8			0.315	
S	4.1	4.2	4.4	0.161	0.165	0.173
T		10.7			0.421	
U		1			0.039	
Y	89°	90°	91°	89°	90°	91°

Technical requirements:

1. Unmarked tolerances of dimension are performed in accordance with GB/T 1804-2000 Level C
2. Unmarked tolerances of form and position are performed in accordance with GB/T 1184-1996 Level L

Package Information-SOT-227

OUTLINE	TUBE (PCS)	INNER BOX (PCS)	PER CARTON (PCS)
TUBE	8	80	160

Information furnished in this document is believed to be accurate and reliable. However, JieJie Semiconductor Co.,Ltd assumes no responsibility for the consequences of use without consideration for such information nor use beyond it.

Information mentioned in this document is subject to change without notice, apart from that when an agreement is signed, JieJie complies with the agreement.

Products and information provided in this document have no infringement of patents. JieJie assumes no responsibility for any infringement of other rights of third parties which may result from the use of such products and information.

This document is the 5.1st version which is made in 23-Oct.-2024. This document supersedes and replaces all information previously supplied.



is registered trademarks of JieJie Semiconductor Co.,Ltd. Copyright ©2024 Semiconductor Co.,Ltd. Printed All rights reserved.